

**Australia**

Melbourne Head Office  
Schiavello (Vic) Pty Ltd  
32 Tullamarine Park Road  
Tullamarine VIC Australia 3043  
Tel: 61) 3 9330 8888  
Fax: 61) 3 9330 8899

**Melbourne Showroom**

Schiavello (Vic) Pty Ltd  
31-49 Queensbridge Street  
Southbank VIC Australia 3006  
Tel: 61) 3 9674 1500  
Fax: 61) 3 9674 1650

**Adelaide**

Schiavello (SA) Pty Ltd  
Ground Floor, 101 Currie Street  
Adelaide SA Australia 5000  
Tel: 08) 8112 2300  
Fax: 08) 8231 1419

**Brisbane**

Schiavello (Qld) Pty Ltd  
265 Coronation Drive  
Milton QLD Australia 4064  
Tel: 07) 3368 3388  
Fax: 07) 3368 2125

**Canberra**

Schiavello (ACT) Pty Ltd  
2-6 Collie Street  
Fyshwick ACT Australia 2609  
Tel: 02) 6124 0500  
Fax: 02) 6280 4370

**Darwin**

Schiavello (NT)  
A Division of Schiavello (Vic) Pty Ltd  
Office 1 Unit 5  
356 Bagot Road  
Milliner NT Australia 0810  
Tel: 08) 8948 1922  
Fax: 08) 8948 1622

**Perth**

Schiavello (WA) Pty Ltd  
1315 Hay Street  
West Perth WA Australia 6005  
Phone: 08) 9322 6555  
Fax: 08) 9322 1337

**Sydney**

Schiavello Systems (NSW) Pty Ltd  
69 Campbell Street  
Surry Hills NSW Australia 2010  
Tel: 02) 9211 3311  
Fax: 02) 9212 3788

**Global****Japan**

Schiavello Japan Limited  
Toranomon Marine Building  
1F, 3-18-19 Toranomon Minato-Ku  
Tokyo 105-0001 Japan  
Tel: 81) 3-5402 7541  
Fax: 81) 3-5402 7542

**Middle East**

Schiavello Middle East  
The Fairmont: Office Suite 514  
Sheikh Zayed Road Dubai  
United Arab Emirates  
PO Box 73411 Dubai UAE  
Tel: 971 4 3291666  
Fax: 971 4 3290906

**Singapore**

Schiavello Singapore Pte Ltd  
No 1 Magazine Road  
Cnr Havelock Road  
#01-05 Central Mall  
Singapore 059567  
Tel: 65) 6533 8011  
Fax: 65) 6533 2811

**U.S.A**

Schiavello North America  
International Office Interiors,  
17948 NE Riverside Parkway  
Portland OR, 97230 USA  
Tel: +1 503 807 2411  
Fax: +1 503 667 0366

**New Zealand - Auckland**

Kada Commercial Furniture  
9 Tory Street  
Wellington,  
New Zealand  
Ph: 644) 801 9696  
Fax: 644) 801 9393

**New Zealand - Wellington**

Kada Commercial Furniture  
Level 1 The Strand Building  
125 The Strand  
Parnell, Auckland  
New Zealand  
Ph: 649) 377 0760  
Fax: 649) 377 0765



*liberty*™  
designed by Niels Diffrient

Product Specifications - Australia / New Zealand

**Schiavello**  
www.schiavello.com  
ph: 1300 366 236

With its acknowledged commitment to quality office seating, Schiavello has found a natural partner in the US based ergonomics company Humanscale.

The Liberty chair, designed by Niels Diffrient for Humanscale, is a revolutionary advancement in office seating.

Its many innovations will be duplicated in future chairs, setting as they do, new standards in office seating.



<b>FEATURES &amp; CHARACTERISTICS</b> .....	<b>2</b>
<b>CONFIGURATIONS</b> .....	<b>4</b>
<b>CHAIR SPECIFICATIONS</b> .....	<b>6</b>
<b>UPHOLSTERY OPTIONS</b> .....	<b>8</b>
<b>WARRANTIES</b> .....	<b>9</b>

# liberty™ FEATURES & CHARACTERISTICS

## PHYSICAL CHARACTERISTICS

### Cushions **Standard**

- Moulded polyurethane foam seats
- Non-degradable gel armrests

### Cushions **Advanced**

- Non-degradable gel top layer over polyurethane foam seats
- Non-degradable gel armrests

Textiles are either wave fabric or leather, bonded to layer of coated urethane foam

### Cushion Pans, Armrest Supports, Headrest Frame

- Injection molded, reinforced, integral colour polypropylene

### Handles & Levers

- Injection molded, reinforced, integral colour nylon

### Stored Energy Devices

- Nitrogen charged gas cylinders for infinitely adjustable seat height and tilt
- Coil spring in the Self-Adjusting Recline mechanism
- Elastomer spring in the Dual Pivot backrest

### External Frame and Five Star Base

- Die cast aluminum with fused plastic coating



Office Chair



Office Chair with Headrest



Stool

With Liberty, the knobs, levers and locks of current-generation office chairs have been replaced by intelligent mechanisms that automatically support the body as it moves from task to task. By minimising the need for manual controls, Liberty maximises natural, spontaneous movement, which is essential for a healthy body and a comfortable day's work. Liberty's many features can be enjoyed with virtually no effort.

Liberty exceeds known performance standards to such a degree that new ways of working become possible.

## STANDARD FEATURES

### Self-Adjusting Recline:

- Intelligent counter-balance recline mechanism automatically provides the right amount of support through the full range of recline motion, regardless of user size and weight
- No tension springs to adjust
- No recline locks to set/release
- During recline, the angle between torso and legs opens up for better body function
- User maintains near constant eye level during recline

### Dual Pivot Backrest:

- Extra motion of the backrest during recline automatically adjusts to the changing needs of the spine
- Provides up to 25mm/1" additional lumbar support when needed

### Synchronised Armrests:

- Revolutionary armrests move in tandem to eliminate the dangers of uneven arm positioning
- Natural lift and release action for immediate repositioning without buttons or locks
- 159mm/6 1/2" range of vertical motion to accommodate all users and tasks
- Can be positioned below thigh-level for close table or desk work
- Attached to backrest so arms stay in same relation to body during recline
- Gel cushion for superb comfort

## Contoured Cushions:

- Carefully sculpted to match body contours
- Increased contact area reduces pressure points
- Impermeable barrier under textile minimises presence of dust mites, bacteria and other allergens in the cushion
- Modular for easy replacement

## Dynamic Headrest:

- Position-sensitive headrest moves into place when you recline and out of the way when you sit upright
- 127mm/5" vertical adjustment to fit all users
- Moves in the natural arc of head/neck for perfect support through range of recline
- Contoured to cradle the head and neck in comfort

## Standard Cylinder:

- Provides seat height range that accommodates 90% of the population

## Hard Casters:

- 57mm/2 1/2" double-wheel casters for carpeted floors

## Body Fit:

- Size adjustable to fit over 90% of the population
- Adjustments for Fit-to-Size:
  - Seat Height
  - Seat Depth
  - Backrest/Lumbar Support Height

## ADVANCED FEATURES

### Gel Seat Cushion:

- Non-degradable, non-compressible gel layer on top of foam core
- Provides maximum pressure distribution
- Offers unmatched, long-term comfort

### Advanced Armrests:

- Pivot at elbow for width adjustment
- Can be locked for positional use / user size considerations
- Automatic unlock feature when positioned inward and user wishes to exit chair
- Can be unlocked for specific tasks (i.e. to support arm movement between keyboard and mouse)
- 29mm/1 1/4" longer than Standard Armrests for additional forearm support

### Infinite Tilt:

- Entire chair may be tilted 6° forward or 5° further to the rear
- Forward tilt allows ideal pelvis/lumbar positioning during close table/desk work
- Extended recline range far surpasses that of other chairs
- Backrest moves with seat pan during tilt for consistent back support

## OPTIONAL FEATURES

### Soft Casters:

- 57mm/2 1/2" soft double-wheel casters for hard floors

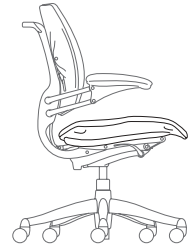
### Low/High Cylinder Height:

- Low range cylinder for very petite users
- High range cylinder for very tall users

# liberty™ CONFIGURATIONS

## STYLE/MECHANISM

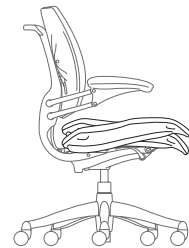
Office Chair/  
Standard



### Standard

Standard mechanism - adjustable backrest; adjustable seat depth; recline ability; gas lift  
Armrests - standard height synchronous adjustable with gel pads, Wave or Leather finish  
Backrest - foam  
Seat - foam  
Frame - graphite colour

Office Chair/  
Advanced



### Advanced

Infinite tilt mechanism; adjustable backrest; adjustable seat depth; recline ability; gas lift  
Armrests - lockable swivel feature; synchronous height adjustable with gel pads, Wave or Leather finish  
Backrest - foam  
Seat - weight distributing gel  
Frame - graphite colour

Office Chair with Headrest/  
Standard



### Standard

Standard mechanism - auto/adjustable headrest; adjustable backrest; adjustable seat depth; recline ability; gas lift  
Armrests - standard height synchronous adjustable with gel pads, Wave or Leather finish  
Backrest - foam  
Seat - foam  
Frame - graphite colour

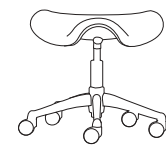
Office Chair with Headrest/  
Advanced



### Advanced

Infinite tilt mechanism - auto / adjustable headrest; infinite tilt; adjustable backrest; adjustable seat depth; recline ability; gas lift  
Armrests - lockable swivel feature standard height synchronous adjustable with gel pads, Wave or Leather finish  
Backrest - foam  
Seat - weight distributing gel  
Frame - graphite colour

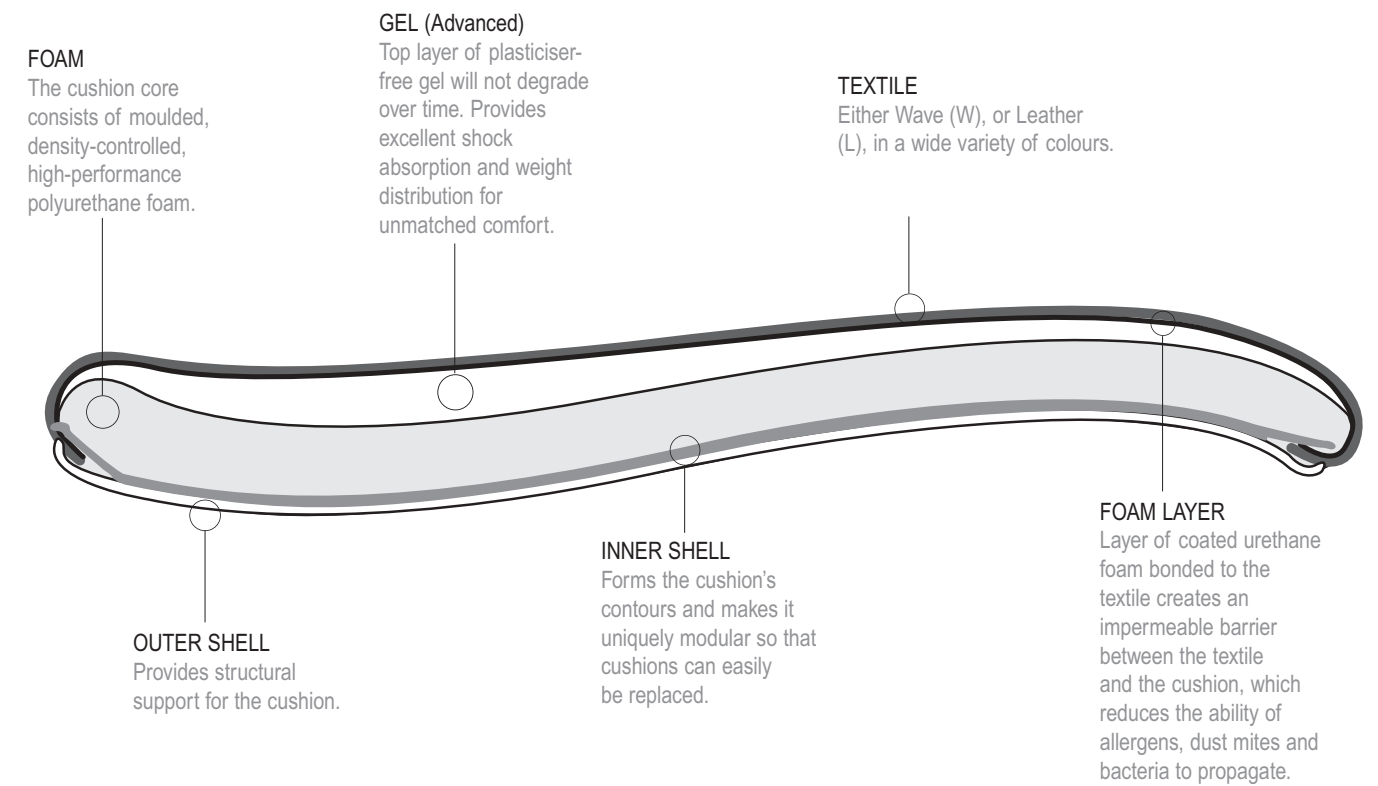
Liberty Stool



### Standard

Seat - foam seat on cushion controlled mechanism  
Wave or Leather finish  
Frame - graphite colour

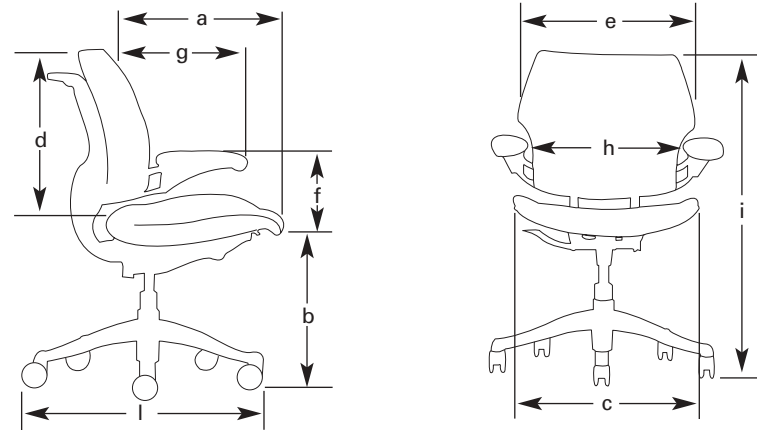
## CROSS-SECTION OF LIBERTY'S WEIGHT DISTRIBUTION GEL SEAT CUSHION



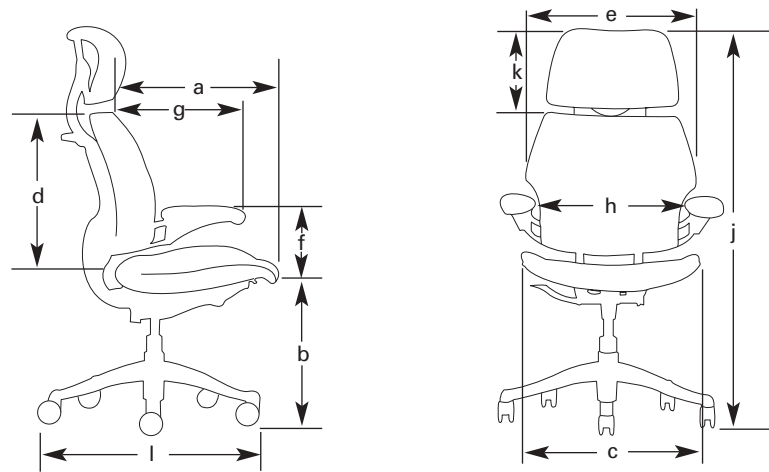
# liberty™ CHAIR SPECIFICATIONS



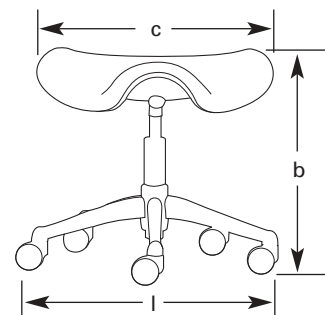
Office Chair



Office Chair with Headrest



Stool



CODE	DESCRIPTION	MEASUREMENT
a	seat depth <i>(from face of lumbar to front of seat)</i> – adjustment range	415 - 490mm / 16 <sup>1</sup> / <sub>4</sub> " - 19 <sup>1</sup> / <sub>4</sub> "  75 in 8mm / 3 <sup>2</sup> / <sub>3</sub> " in <sup>1</sup> / <sub>3</sub> " increments
b	seat height <i>(from floor to compressed front centre of seat cushion)</i>	408 - 543mm / 16" - 21 <sup>1</sup> / <sub>3</sub> " <i>standard chair</i> 370 - 495mm / 14 <sup>1</sup> / <sub>2</sub> " - 19 <sup>1</sup> / <sub>2</sub> " <i>low chair</i> 432 - 565mm / 17" - 22 <sup>1</sup> / <sub>3</sub> " <i>high chair</i> 432 - 565mm / 17" - 22 <sup>1</sup> / <sub>3</sub> " <i>standard stool</i> 520 - 720mm / 20 <sup>1</sup> / <sub>2</sub> " - 28 <sup>1</sup> / <sub>3</sub> " <i>high stool</i>
c	seat width	535mm / 21" <i>chair</i> 560mm / 22" <i>stool</i>
d	backrest height <i>(from seat cushion to top of backrest)</i> – adjustment range	457 - 535mm / 18" - 21"  75 in 6mm / 3" in <sup>1</sup> / <sub>4</sub> " increments
e	backrest width	535mm / 21"
f	armrest height <i>(compressed seat cushion to top of armrest)</i> – adjustment range	128 - 293mm / 5" - 11 <sup>1</sup> / <sub>2</sub> "  165 in 8mm / 6 <sup>1</sup> / <sub>2</sub> " in <sup>1</sup> / <sub>3</sub> " increments
g	armrest length <i>(from face of lumbar to front of armrest)</i>	330mm / 13" <i>standard</i> 363mm / 14 <sup>1</sup> / <sub>4</sub> " <i>advanced</i>
h	distance between armrests	457 - 508mm / 18" - 20" <i>standard</i> 287 - 578mm / 11 <sup>1</sup> / <sub>4</sub> " - 22 <sup>3</sup> / <sub>4</sub> " <i>advanced (front inside edge)</i>
i	height, office chair	845 - 1048mm / 33 <sup>1</sup> / <sub>2</sub> " - 41 <sup>1</sup> / <sub>4</sub> " <i>standard</i> 813 - 1004mm / 32" - 39 <sup>1</sup> / <sub>2</sub> " <i>low option</i> 877 - 1074mm / 34 <sup>1</sup> / <sub>2</sub> " - 42 <sup>1</sup> / <sub>4</sub> " <i>high option</i>
j	height, office chair with headrest	1092mm - 1423mm / 43" - 56" <i>standard</i> 1055 - 1378mm / 41 <sup>1</sup> / <sub>2</sub> " - 54 <sup>1</sup> / <sub>4</sub> " <i>low option</i> 1118 - 1448mm / 44" - 57" <i>high option</i>
k	headrest height adjustment range	128mm / 5"
l	base diameter	635mm / 25" <i>chair</i> 560mm / 22" <i>stool</i>

## Scope of Users

- Standard chair fits over 90% of the office population
  - 1500mm/5'0" Woman to 1900mm/6'4" Man
  - 45.4kg/100 pounds to 113.4kg/250pounds
- Users outside the standard range can be accommodated by
  - Low or High Cylinder Height
  - Advanced Armrests

## Weight

- 15.9kg/35 lbs Standard Chair
- 17.7kg/39 lbs Advanced Chair

## Backrest Recline

- 22° Standard Chair
- 27° Chair with Infinite Tilt Mechanism

## Reference Angle between Seat and Back

- 100° to 122°

## Angle Change of Infinite Tilt Mechanism (tilts entire chair above base; recline angle is in addition to this)

- 6° forward from normal
- 5° back from normal
- 11° total range of extra tilt

## Advanced Task Armrests

- Horizontal angle change from elbow pivot point
  - 35° each armrest
  - Lockable in 5° increments; or
  - Unlocked and free moving

## Head/Neck Rest Radial Motion (automatic motion during recline)

- 30°

## Lumbar Support Increase in Recline

- 25.6mm/1"

# liberty™ UPHOLSTERY OPTIONS

The cushions on all Liberty chairs utilise advanced technology developed primarily for the sportswear and sporting goods industries. In a single step, a high-tech moulding process combines the textile, gel (standard on armrests, optional on seat cushions), foam and plastic support shell into a single, modular unit, which can be attached to Liberty with four fixtures. Because of this advanced process, the textiles used on Liberty's cushions are as unique as the rest of the chair, and satisfy requirements more demanding than typical upholstery textiles.

## WAVE

**Textile Code: W**

**Textile Grade: 1**

Developed initially for sportswear, Wave responds to the unique form and production requirements of Liberty. This four-way stretch fabric exceeds all contract interior testing requirements for heavy-duty upholstery. The colours of Wave are taken from the phenomenal hues found in nature.

## LEATHER

**Textile Code: L**

**Textile Grade: Leather**

Liberty's luxurious leathers, chosen specifically for their high quality and soft hand, are imported from Germany. The hides are aniline dyed and given a wax finish, which contributes to the leather's UV and moisture resistance, and are available in an array of rich colours.

# liberty™ WARRANTIES

Schiavello offers the following warranty on the Liberty chair, effective from the date of delivery;

5 years: Fabric/Cushions/Pneumatic Cylinder/Caster and Gliders  
Lifetime: All Other Parts

This warranty is given to the initial purchaser only and is non-transferable. This warranty covers defects in material and craftsmanship and does not apply to normal wear and tear or damaged caused by accident, neglect, misuse or improper installation or operation. Schiavello is not responsible for damage due to service, maintenance, modifications or tampering by anyone other than a Schiavello authorised representative.

If a product is defective, and if written notice of the defect is given to Schiavello within the warranty period, Schiavello, at its option, will either repair or replace the defective product.

COLOUR NUMBER	COLOUR NAME	TEXTILE	COLOUR NUMBER	COLOUR NAME	TEXTILE
101	Black	W,L	501	Indigo	W
102	Graphite	W	502	Blue	W
104	Smoke	W	503	Aqua	W
105	Silver	W	506	Slate	L
201	Dark Brown	W	601	Ultraviolet	W
203	Umber	L	603	Aubergine	L
207	Beige	L	701	Red	W
301	Yellow	W	702	Crimson	W
401	Lime	W	707	Wine	L
402	Loden	W	802	Sienna	L
403	Evergreen	W,L			