

Specifications

ARCH

Worktops

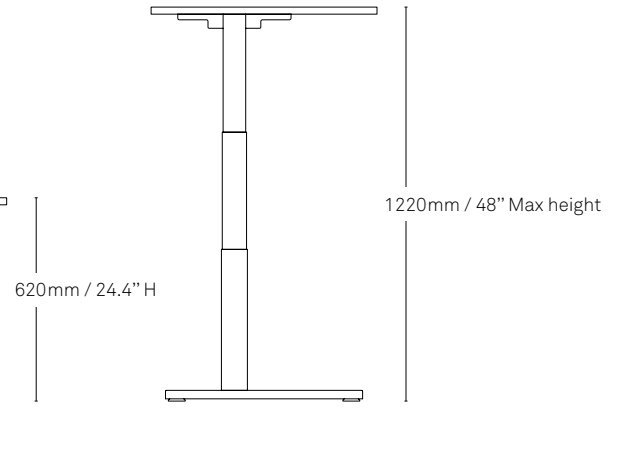
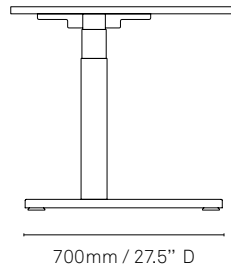
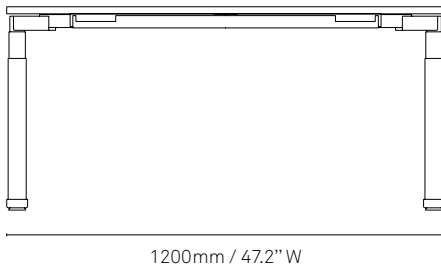
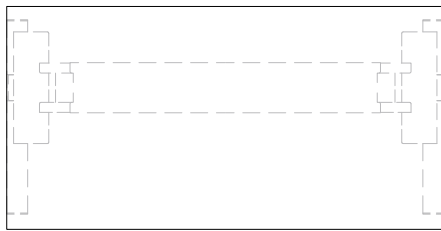
25–33mm / 1–1.2" Thick
750–800mm / 29.5–31.5" W
1200–2400mm / 47.2–94.5" L

Leg Configurations

Fixed height	720 & 1050mm / 28.3 & 41.3"
Single stage type A	610–1000mm / 24–39.3"
Single stage type B	700–1200mm / 27.6–47.3"
Dual stage	620–1220mm / 24.4–48"

Workstations

Rectilinear dual stage with standard worktop



All measurements are in millimeters and inches

All intellectual property rights and copyrights are reserved. Nothing contained in this brochure may be reproduced without written permission. Schiavello Group Pty Ltd reserves the right to change any or all details without prior notice. All dimensions stated within this document are nominal and/or approximate only and subject to variation. SCH/SPSKPAU01-B

schiaavello

Worktops

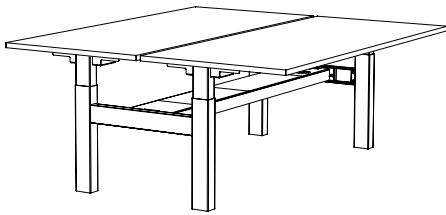
25–33mm / 1–1.2" Thick
 750–800mm / 29.5–31.5" W
 1200–2400mm / 47.2–94.5" L

Leg Configurations

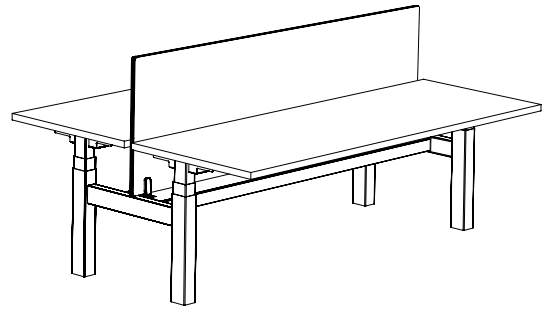
Fixed height 720 & 1050mm / 28.3 & 41.3"
 Single stage type A 610–1000mm / 24–39.3"
 Single stage type B 700–1200mm / 27.6–47.3"
 Dual stage 620–1220mm / 24.4–48"

Workstations

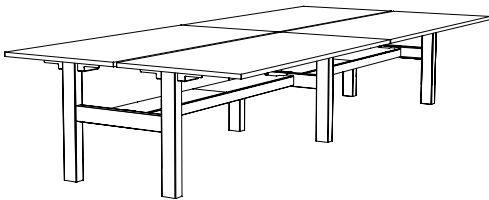
Rectilinear back-to-back



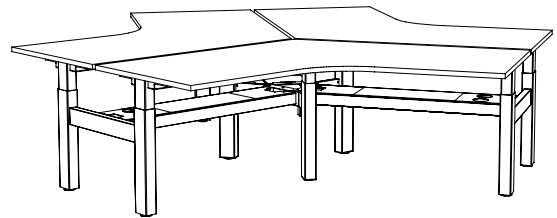
Rectilinear back-to-back with panel



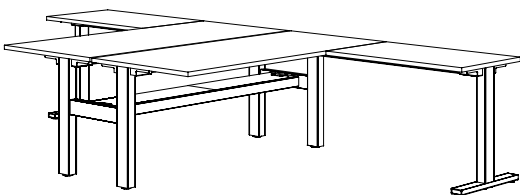
back-to-back linear cluster



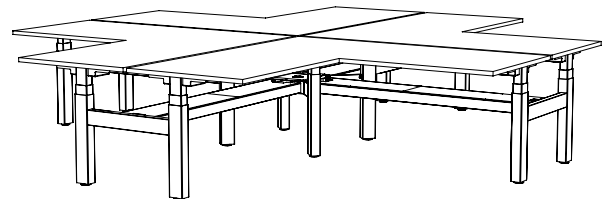
120° Three-way cluster



90° Two-way workstation



90° Four-way workstation



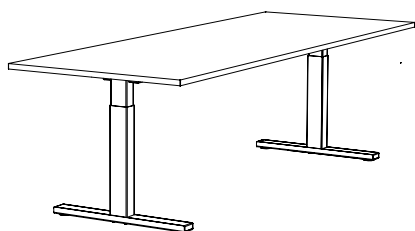
All measurements are in millimeters and inches

All intellectual property rights and copyrights are reserved. Nothing contained in this brochure may be reproduced without written permission. Schiavello Group Pty Ltd reserves the right to change any or all details without prior notice. All dimensions stated within this document are nominal and/or approximate only and subject to variation. SCH/SPSKPAU01-B

Meeting Tables

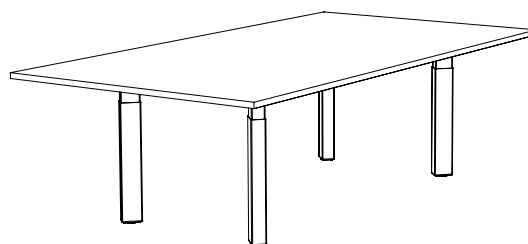
Rectilinear T-leg

T-leg	Fixed 720mm / 28.3" Single stage 620-1000mm / 24.4-39.3"
Width	800-900mm / 31.5-35.4"
Length	1600-2600mm / 63-102.4"



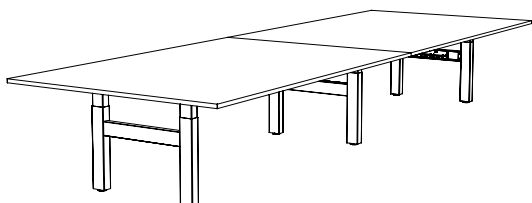
Rectilinear column leg

T-leg	Fixed 720mm / 28.3" Single stage 620-1000mm / 24.4-39.3"
Width	1300mm / 51.1"
Length	2400-3000mm / 94.4-118.1"



Rectilinear bridged leg

T-leg	Fixed 720mm / 28.3" Single stage 620-1000mm / 24.4-39.3"
Width	600-1600mm / 23.6-63"
Length	4800-6000mm / 189-236.2"



All measurements are in millimeters and inches

All intellectual property rights and copyrights are reserved. Nothing contained in this brochure may be reproduced without written permission. Schiavello Group Pty Ltd reserves the right to change any or all details without prior notice. All dimensions stated within this document are nominal and/or approximate only and subject to variation. SCH/SPSKPAU01-B