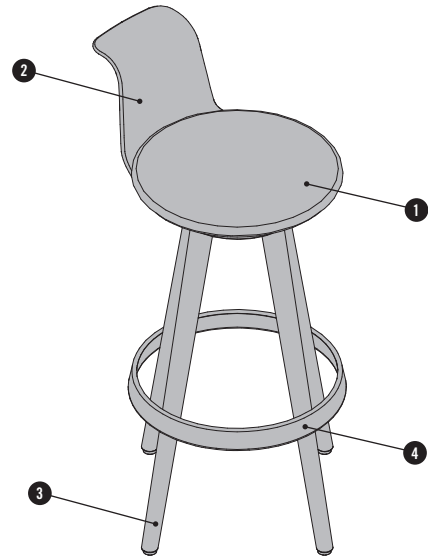
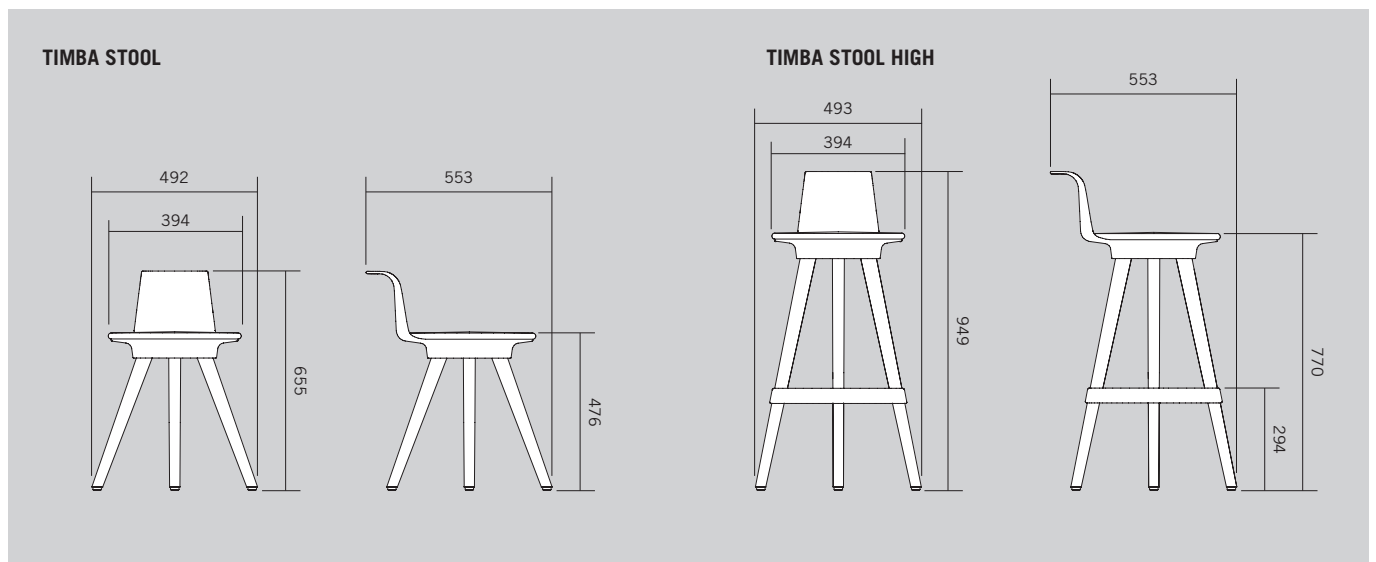


PRODUCT DESCRIPTION

- 1 **Seat:** Seat shell made of fibreglass-reinforced plastic in off-white or dark grey, with upholstery in fabric group PO-P4 or with a leather cover in L1 black.
- 2 **Backrest:** Optional. Colour always same as the seat shell.
- 3 **Legs:** Solid oak. The standard version comes with plastic glides, optionally with felt glides.
- 4 **Foot ring:** Made of fibreglass-reinforced plastic in dark grey.

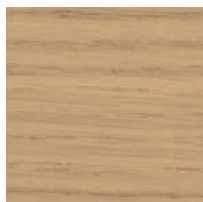


OVERVIEW & DIMENSIONS

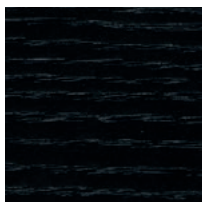


COLOURS & MATERIALS

SOLID WOOD: Oak

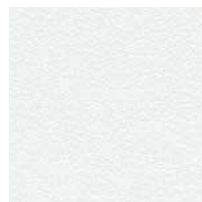


HC natural oak

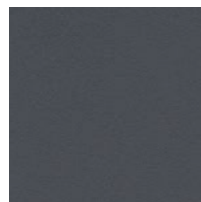


HD oak graphite

PLASTIC SURFACE



off-white



dark grey