

# Krossi Surround



Delivers an elevated aesthetic thanks to its substantial yet elegant sculptural form.

schiaavello

# Contents

## **Schiavello Design Studio**

1 — 2

## **Introducing Krossi Surround**

3 — 10

## **Features**

11 — 12

## **Reticulation**

13 — 14

## **Specifications & Configurations**

17 — 18

## **Accessories**

19 — 20

## **ColourLab**

21 — 22



# SCHIAVELLO DESIGN STUDIO

The Schiavello Design Studio is made up of a number of multi-disciplinary designers and engineers with expertise in industrial design, interior design and product engineering.

Supported by an array of trade-based professionals, the technically-focused team brings a diverse expertise to new and evolved product development.

The most notable concepts include the industry leading acoustic, room-within-a-room Focus Quiet Room collection, the pioneering Climate malleable workplace system and Australia's first designed and manufactured sit/stand workstation, the ever-evolving Krossi Workstation.

Today, the studio continues to develop solutions from ergonomic sofas to lightweight accessories, catering to changing typology, business and people needs and technology requirements. All while maintaining product quality, longevity, effortless visual appeal and environmental sustainability.



# Introducing Krossi Surround



# Resolved aesthetic

The latest evolution to Schiavello's market-leading sit-stand Krossi Workstation range, Krossi Surround was designed to provide clients with an elevated finish to their workstations.

Referencing Krossi's curved geometry and classic, minimal aesthetic, Krossi Surround envelops the legs of Krossi workstation clusters with its substantial yet elegant sculptural form.

Suitable for back-to-back workstation configurations of two or more desks, a removable access panel and various reticulation options also work to reduce visible cabling for a highly resolved appearance.





## Tailored finishes

A selection of metal powder coat finishes allows Krossi Surround to compliment the workstation legs, blending seamlessly into the space or becoming a bold focal point. Manufactured from mild steel to minimise embodied energy, ensure durability and enable refurbishment and recyclability, Krossi Surround is designed with longevity in mind.

See our full ColourLab range of finishes for worktop and legs understructure on pg. 21





# Concealed cable & electronic components

Discreetly integrating contemporary workstation needs, Krossi Surround has the ability to house cables and electrical components, removing the need for cable trays and resulting in a clean, resolved appearance with improved legroom and accessibility.





# Features & optional extras

Removable access panel and cut-out options to support various cable reticulation paths, offering functional access and installation flexibility



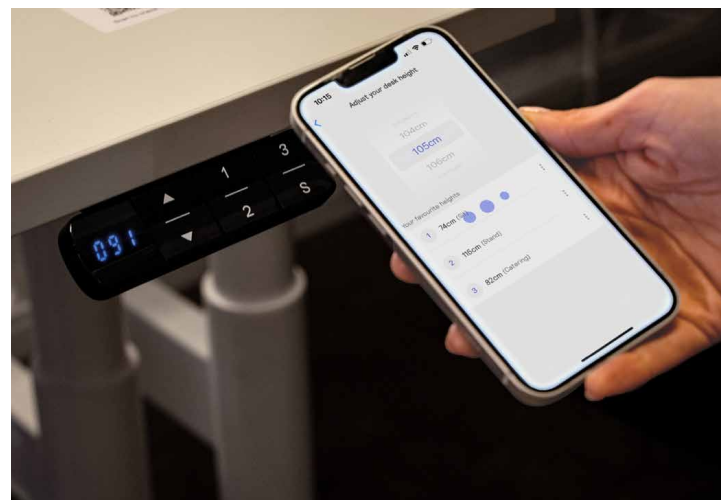
Routed worktop to offer additional resolved cable management



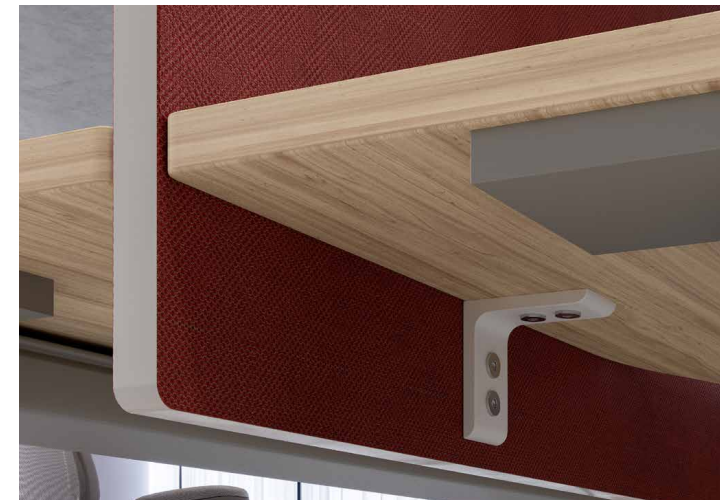
Beam cover panel



Krossi NX



Individual Workstation Panel



Shared Workstation Panel



Cantilever Bracket (Shared Panel)



A 25mm shared panel can be mounted directly into Krossi Surround, thanks to a cantilever panel bracket which has been developed. The bracket further adds to the minimal, concealed aesthetic of Krossi.

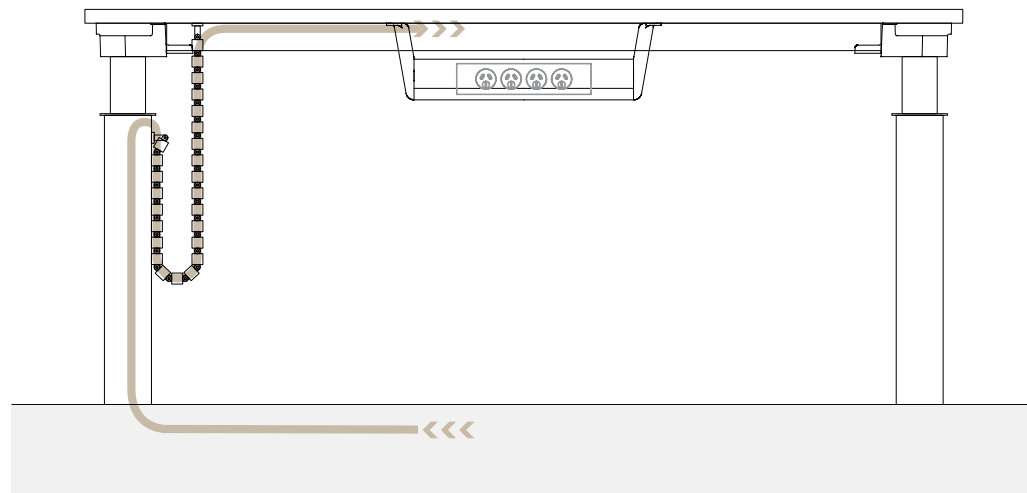


# Reticulation

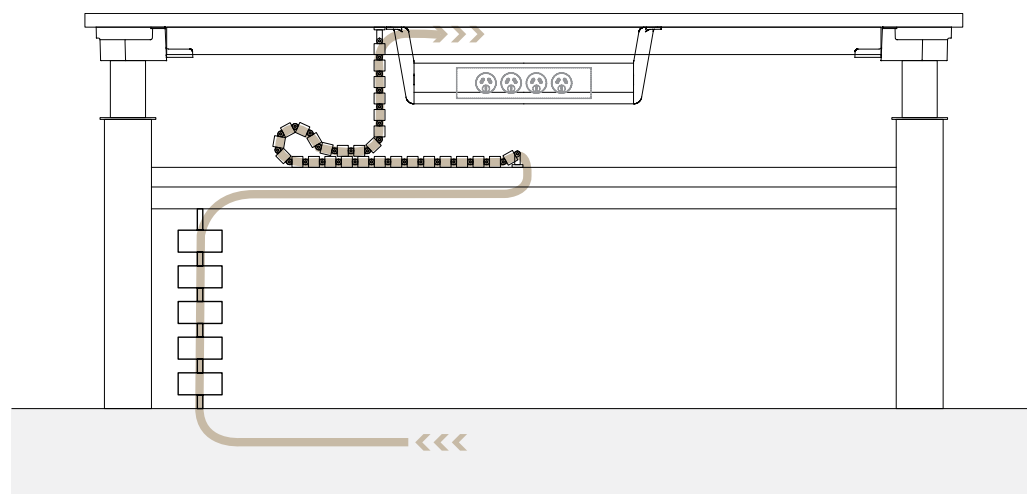
Cable reticulation options are achievable to suit various power access locations.

## Reticulation Options

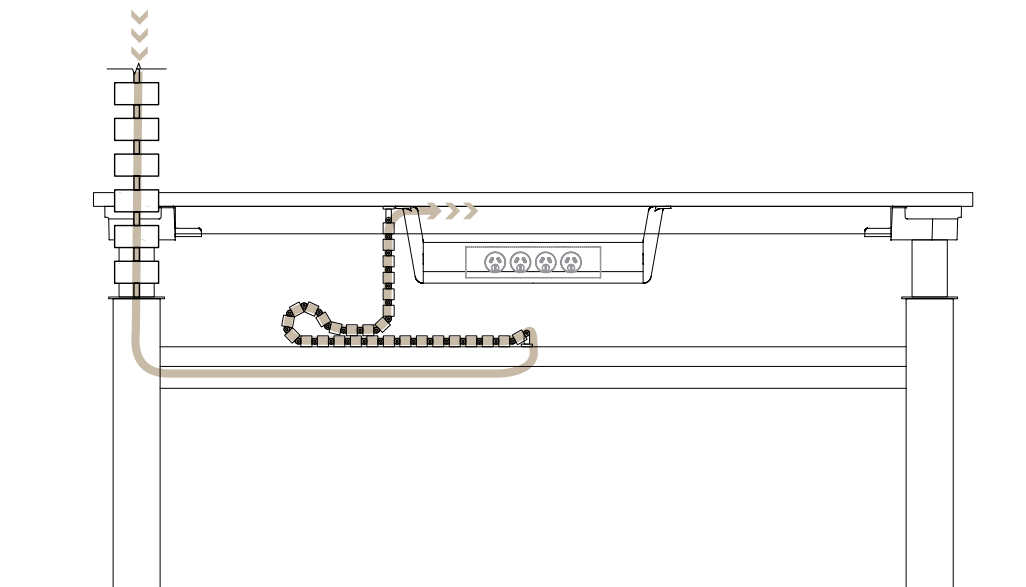
Reticulate through sub floor into base of shroud



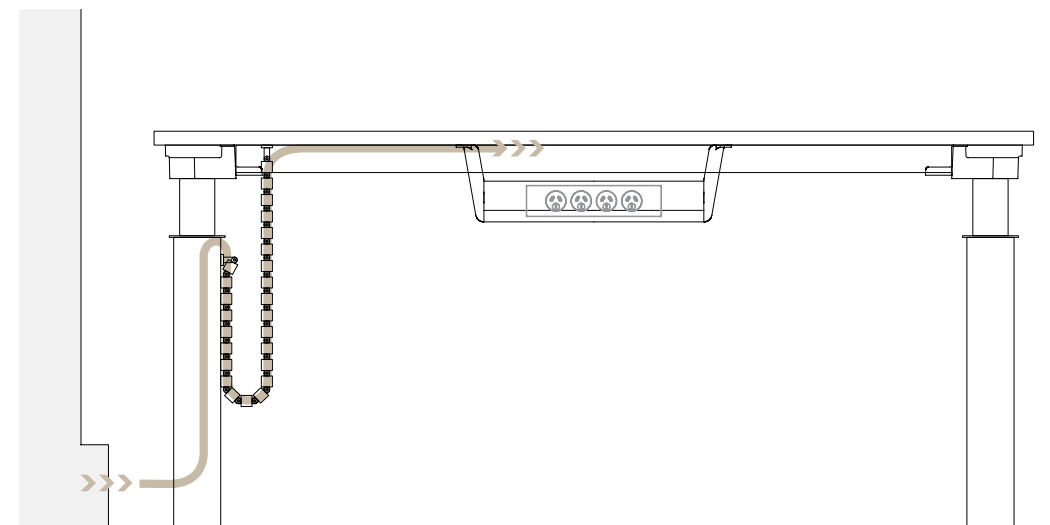
Reticulate through sub floor into umbilical to cable tray



Reticulate from ceiling through umbilical/power pole into top of shroud



Reticulate through skirting duct into side of shroud





# Specifications & Configurations

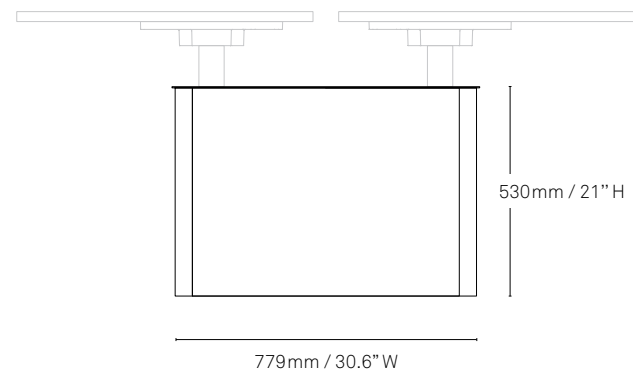


# Specifications & Configurations

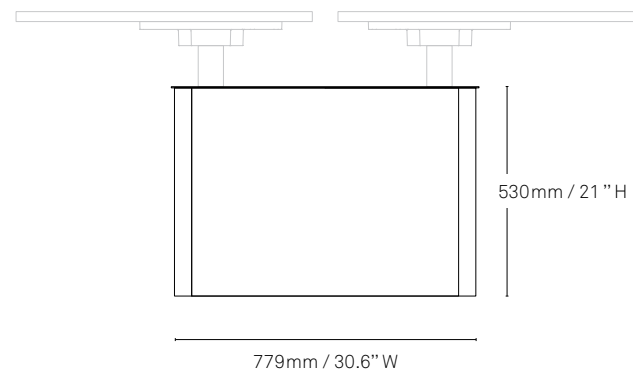
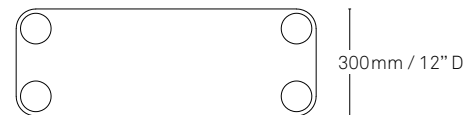
The functionality of Krossi's knowledge-led design can be achieved in a range of shapes and configurations to suit your space.

## Shroud Sizes

### Two Leg



### Four Leg



## Configurations

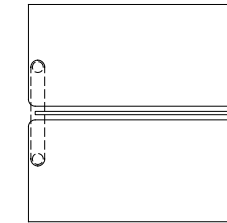
### Worktops

25–33mm / 1–1.2" Thick  
800mm / 31.5" D  
1400/1500/1600/1800/2000mm  
55.1/59/63/70.8/78.7" W

### Desk Heights

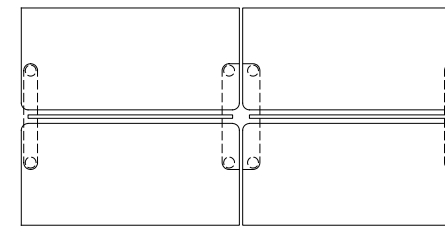
Fixed height 720 & 1050mm / 28.3 & 41.3"  
Dual stage 620–1220mm / 24.4–48"

### Two Person / Back-to-back cluster 2 x Two Leg



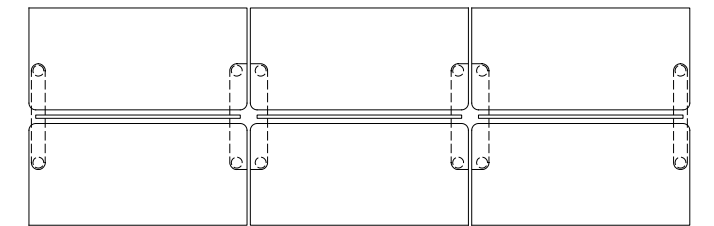
### Four Person / Back-to-back cluster

2 x Two Leg  
1 x Four Leg



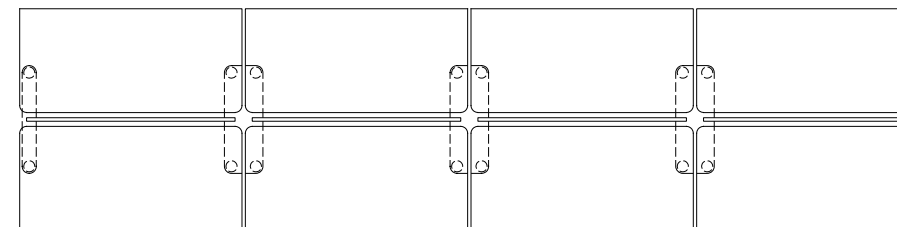
### Six Person / Back-to-back cluster

2 x Two Leg  
2 x Four Leg



### Eight Person / Back-to-back cluster

2 x Two Leg  
3 x Four Leg



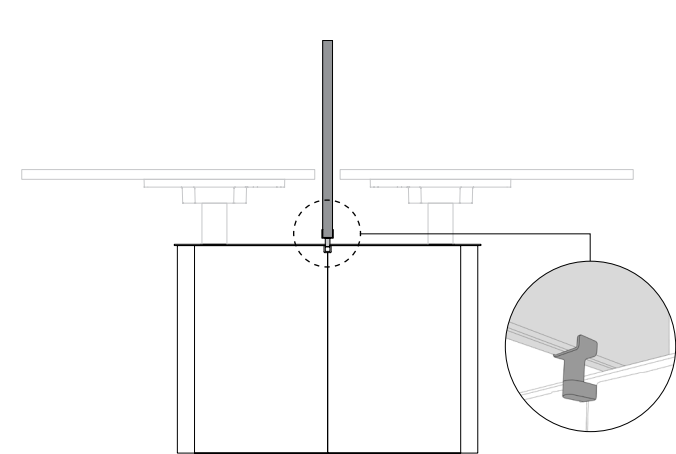


# Accessories

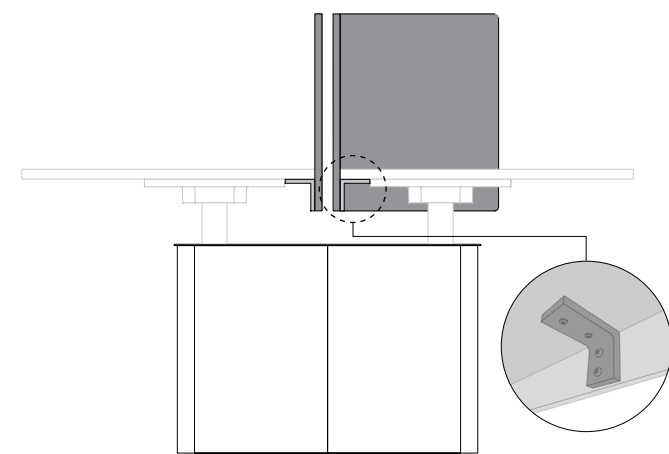
Designed in-house by the Schiavello Design Studio and Schiavello Technologies, Krossi's range of accessories – including panels and electric service modules – tailor the workstation to your specific needs, finished cohesively through our curated ColourLab collection.

## Panels

Shared Panel with Cantilever Bracket



Individual Panels with L Bracket



## Lettric

Above-Desk Service Module



In-Desk Service Module



In-Desk Charger



Below-Desk Service Module





# ColourLab

Curated by Giulio Ridolfo and developed by Schiavello, Colourlab brings a considered and cohesive palette of finishes suited to the needs of working and living environments. The palette beautifully balances colour, texture and layering across a variety of materials.

To review complete list of Krossi Surround finishes please [click here](#).

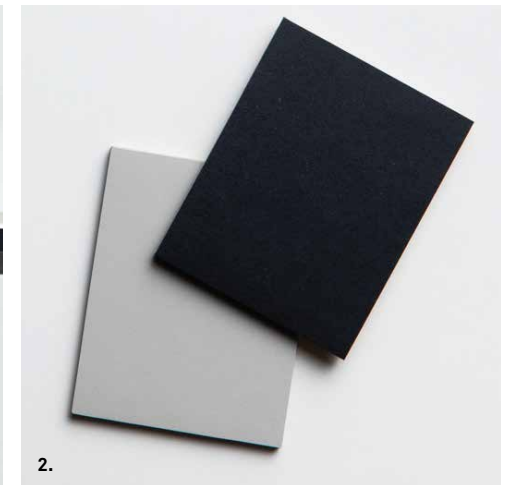
---

## ColourLab materials and finishes

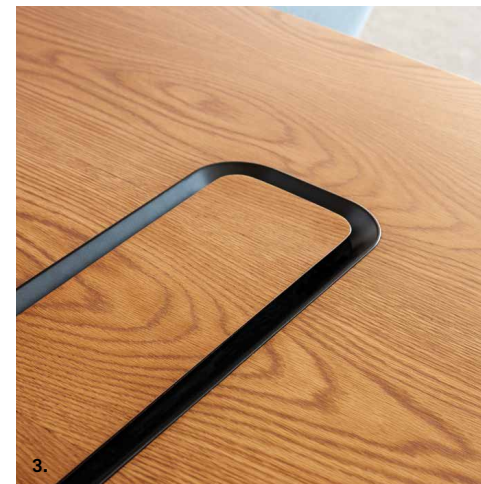
1. Laminate
2. Spotless Laminate
3. Timber Natural
4. Timber Paint
5. Timber Wash
6. Linoleum
7. Fabric
8. Metal Powder Coat



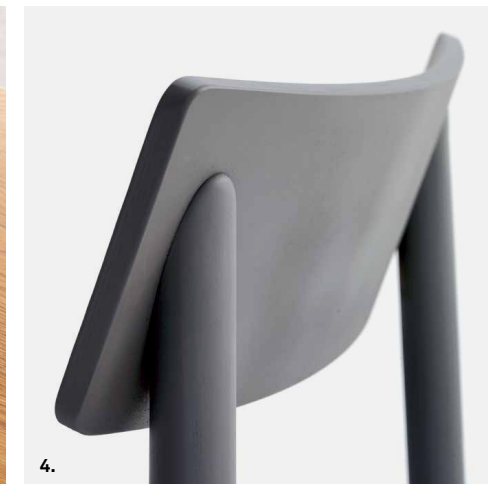
1.



2.



3.



4.



5.



6.



7.



8.







# Research-led design for health and wellbeing

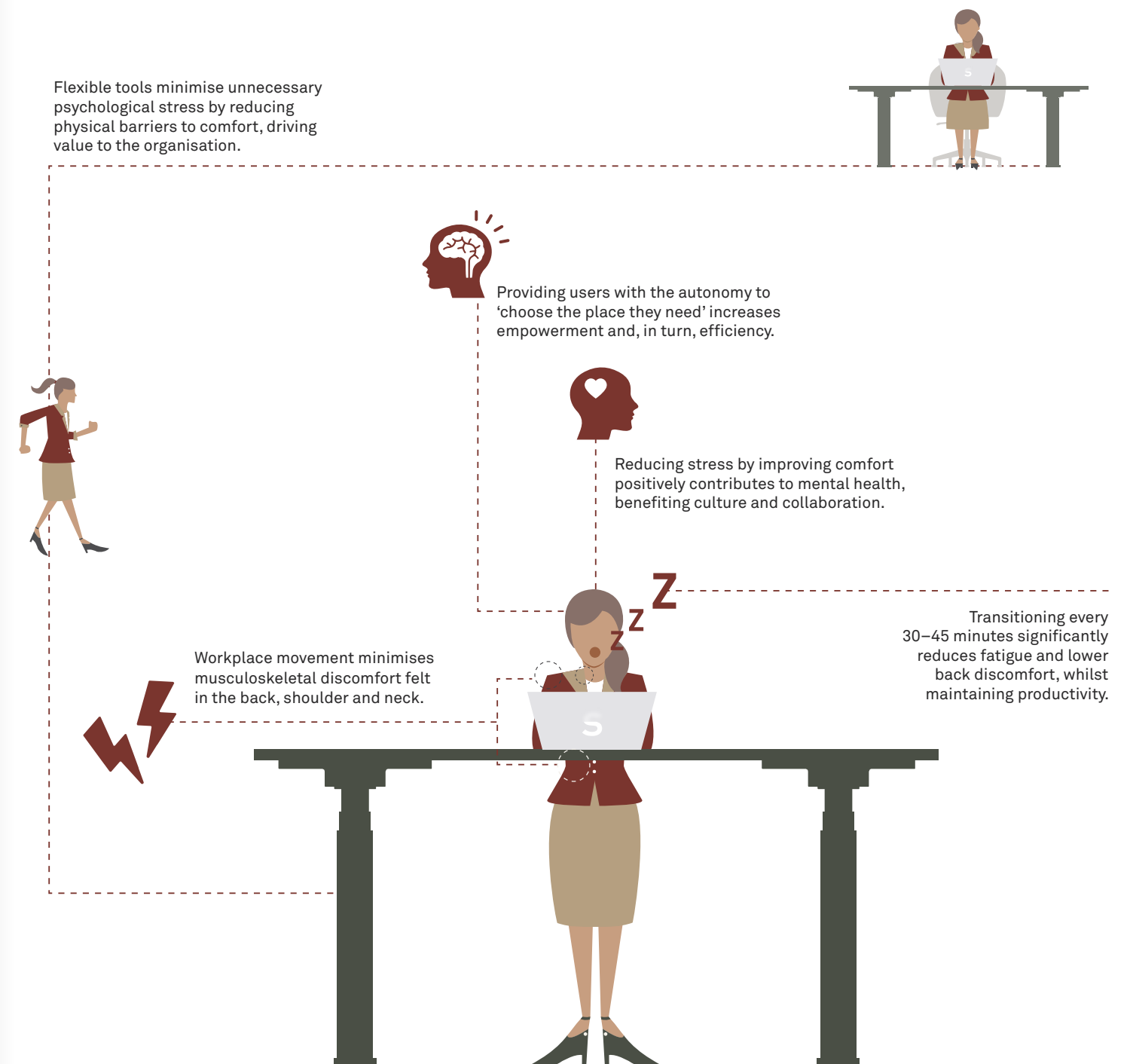
In 2008 – as evidence emerged into the impact static working had on health, happiness and productivity – Peter Schiavello set out to develop the first Australian designed and manufactured sit/stand workstation based on how the human body has evolved to move.

Leveraging research by Schiavello’s Knowledge Hub, the people-centred design was founded on flexible working postures and intuitive adjustments, enabling users to simply and naturally transition from sitting to standing. The easier it is to transition, the more often it will be used and more effectively address the negative impacts that both sitting and standing for long periods of time can have on an individual’s physical comfort and long-term health.

**“By fitting working tools to the body, instead of one’s body to the tools, energetic and dynamic working environments can be tuned to inspire creativity and innovation.”**

Powered by an electric system, desk height is displayed on a LCD screen, Krossi boasts memory capability to store up to four preferred height variations, putting user convenience at the fore.

By empowering each individual with complete control, flexibility and adjustment over their work point, health and wellbeing benefits include:







## Ecology and sustainability

Schiavello's most important commitment to sustainability is the company-wide Environmental Management System under ISO 14001. The environmental design principles realised means we design for the environment, focusing on efficient energy use and minimum emissions, longevity and durability, re-use and recycling of our products.

Our principles of ME WE (Materials, Energy, Waste Emissions) give us a simple way to think about how our operations impact the environment.

Our brochures are printed on an Australian made paper stock that is PEFC Certified and made from elemental chlorine-free bleached pulp, sourced from sustainably managed forests and non-controversial sources. The paper is manufactured by an ISO 14001 certified mill using renewable energy sources.

## About Schiavello

Schiavello is a multi-disciplinary company dedicated to developing intelligent, inspiring, ecological and resilient solutions for the office, the home and public spaces.

Schiavello's concepts and products are developed in Australia by applying a design process that brings together the company's core design principles and engineering with the creativity of local and international designers.

The Schiavello head office and world-class manufacturing facilities are integral to our continually developing rich tapestry of knowledge. This knowledge ultimately assists us in informing the right solutions and tools for each organisation's needs and people, allowing us to consistently achieve our philosophy that 'Anything is possible'.

To find a Schiavello showroom or partner in your area, please visit [schiavello.com/furniture](https://www.schiavello.com/furniture)



All intellectual property rights and copyrights are reserved. Nothing contained in this brochure may be reproduced without written permission. Schiavello Group Pty Ltd reserves the right to change any or all details without prior notice. All dimensions stated within this document are nominal and/or approximate only and subject to variation.



