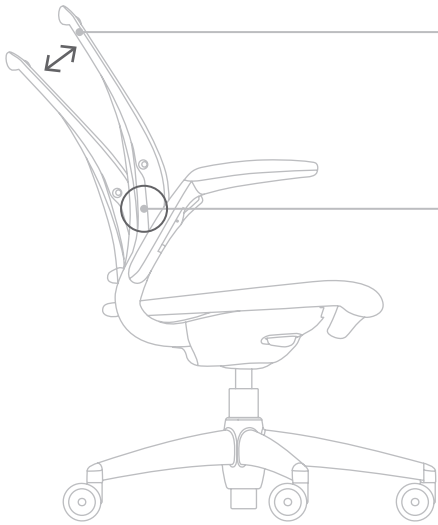


## How to Adjust Your World Chair

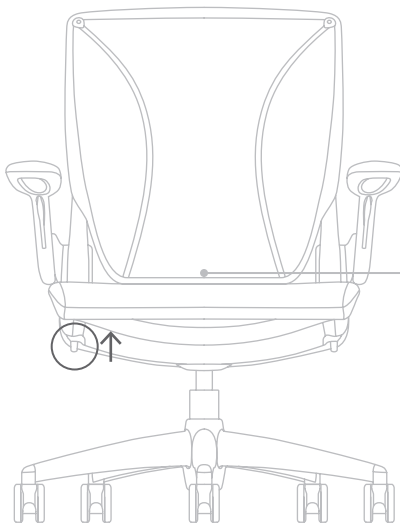


### Recline Tension

The Diffrient World chair features automatic recline tension that adjusts to your body weight. To make it work, all you have to do is sit.

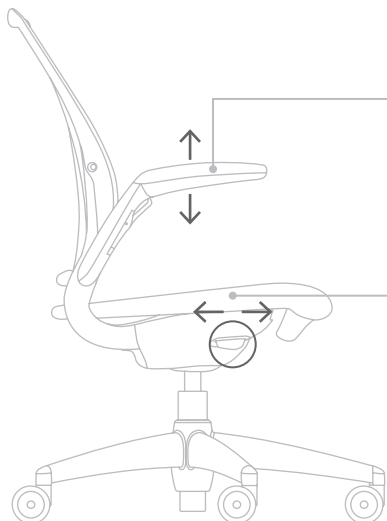
### Backrest/Lumbar Support

The Diffrient World chair's Form-Sensing Mesh Technology provides perfect support while automatically adjusting itself to your unique shape. To properly fit the backrest/lumbar support to your body, simply sit back and let Diffrient World do the rest.



### Seat Height

Depress the button under the right side of the seat frame. Position the chair to a comfortable height, with your thighs parallel to the floor and your feet fully supported by the floor or a footrest. Release the button.



### Adjustable Arms (optional feature)

Squeeze the trigger on the underside of each armrest. Reposition to the desired height and release.

### Seat Depth

Depress the button under the left side of the seat frame. Slide the seat to a position that when your back is against the backrest there are 2-4 inches of clearance between the front of the seat and the backs of your knees. Release the button.