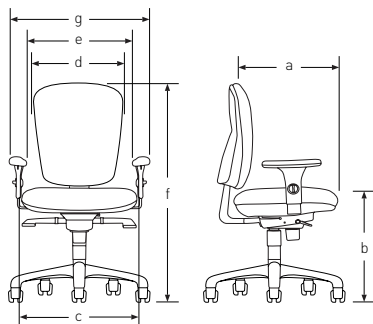
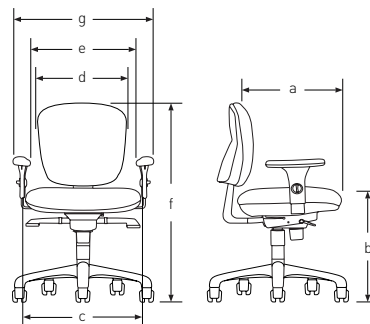


Specifications



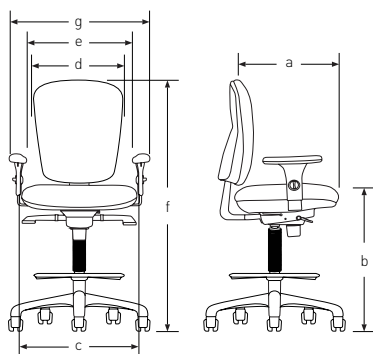
Task Chair_High Back

CODE	DESCRIPTION	MEASUREMENT
A	Seat depth [from face of lumbar to front of seat]	450 mm
B	Seat height [from floor to compressed front centre of seat cushion]	420 mm - 515 mm
C	Seat width	495 mm
D	Backrest width	450 mm
E	Distance between armrests	510 mm
F	Height	905 mm - 1080 mm
G	Chair width	640 mm



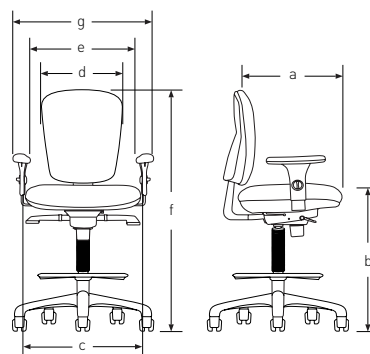
Task Chair_Medium Back

CODE	DESCRIPTION	MEASUREMENT
A	Seat depth [from face of lumbar to front of seat]	450 mm
B	Seat height [from floor to compressed front centre of seat cushion]	420 mm - 515 mm
C	Seat width	495 mm
D	Backrest width	420 mm
E	Distance between armrests	510 mm
F	Height	815 mm - 990 mm
G	Chair width	640 mm



High Chair_High Back

CODE	DESCRIPTION	MEASUREMENT
A	Seat depth [from face of lumbar to front of seat]	450 mm
B	Seat height [from floor to compressed front centre of seat cushion]	560 mm - 750 mm
C	Seat width	495 mm
D	Backrest width	450 mm
E	Distance between armrests	510 mm
F	Height	1100 mm - 1375 mm
G	Chair width	640 mm



High Chair_Medium Back

CODE	DESCRIPTION	MEASUREMENT
A	Seat depth [from face of lumbar to front of seat]	450 mm
B	Seat height [from floor to compressed front centre of seat cushion]	560 mm - 750 mm
C	Seat width	495 mm
D	Backrest width	420 mm
E	Distance between armrests	510 mm
F	Height	1050 mm - 1285 mm
G	Chair width	640 mm

All measurements are in millimeters

All intellectual property rights and copyrights are reserved. Nothing contained in this brochure may be reproduced without written permission. Schiavello Group Pty Ltd reserves the right to change any or all details without prior notice. All dimensions stated within this document are nominal and/or approximate only and subject to variation. SCH/SPSN0V01-A