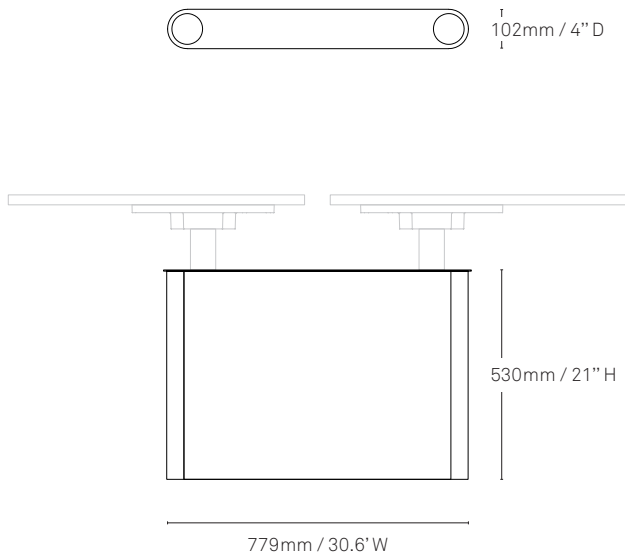
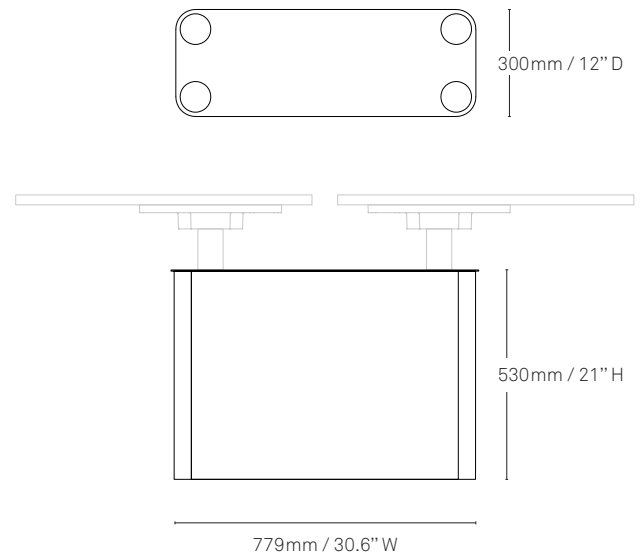


Shroud Size Options

Two Leg



Four Leg



Workstations

Worktops

25–33mm / 1–1.2" Thick

800mm / 31.5" D

1400/1500/1600/1800/2000mm

55.1/59/63/70.8/78.7" W

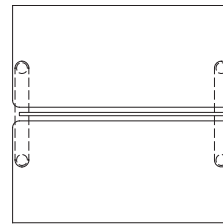
Desk Heights

Fixed height 720 & 1050mm / 28.3 & 41.3"

Dual stage 620–1220mm / 24.4–48"

Two Person / Back-to-back cluster

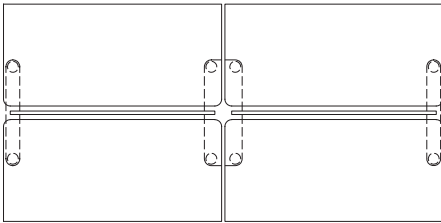
2 x Two Leg



Four Person / Back-to-back cluster

2 x Two Leg

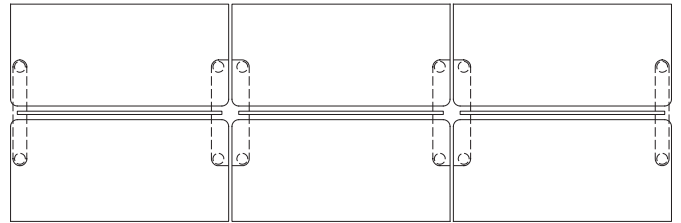
1 x Four Leg



Six Person / Back-to-back cluster

2 x Two Leg

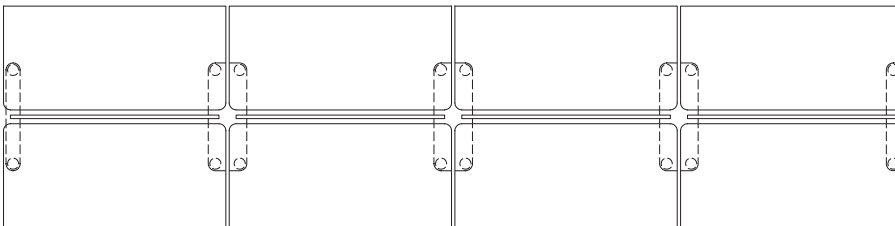
2 x Four Leg



Eight Person / Back-to-back cluster

2 x Two Leg

3 x Four Leg

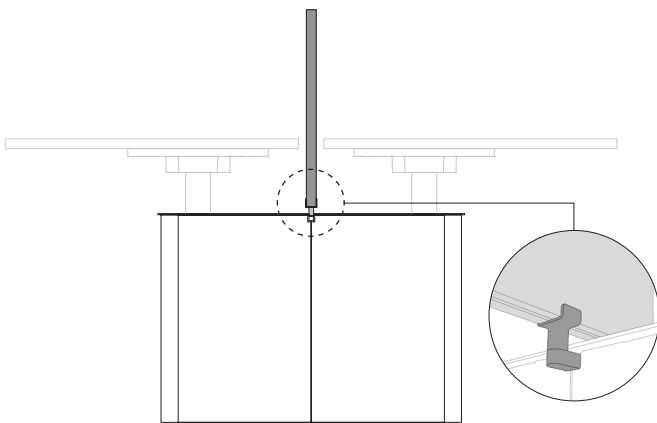


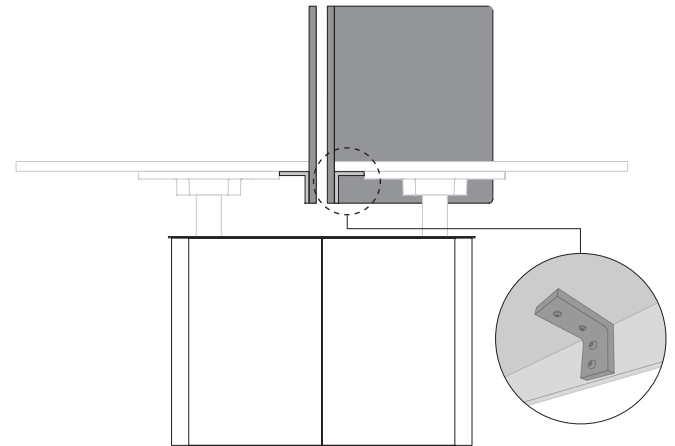
Shared Panel

25mm / 1" Thick
800mm / 31.5" H
1400-2000mm / 55.1-78.7" W
Cantilever Bracket

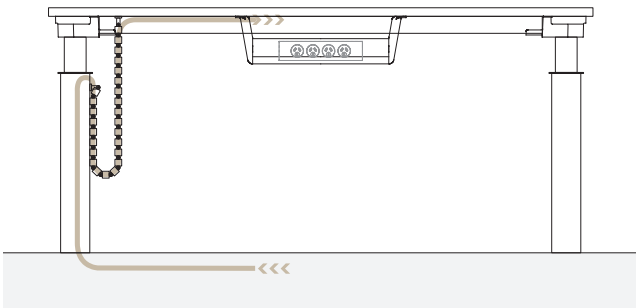
Individual Panels

14/20mm / 0.5/0.8" Thick
600mm / 23.6" H
1400-2000mm / 55.1-78.7" W
L Bracket/Escutcheon Plate

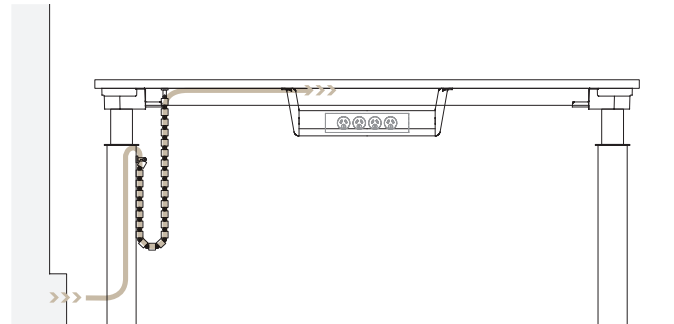
Shared Panel with Cantilever Bracket

Individual Panels with L Bracket

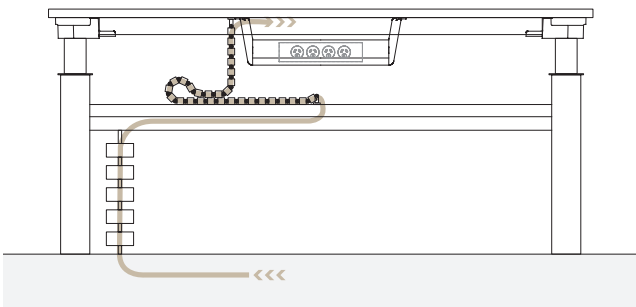
Reticulate through sub floor into base of shroud



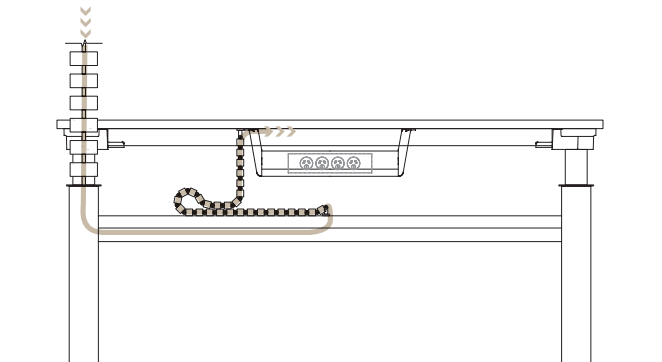
Reticulate through skirting duct into side of shroud



Reticulate through sub floor into umbilical to cable tray



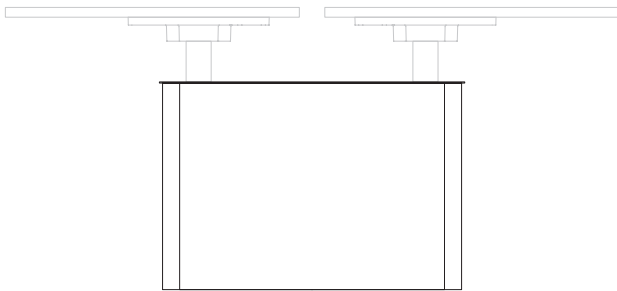
Reticulate ceiling through umbilical/power pole into top of shroud



Features: Shroud Options

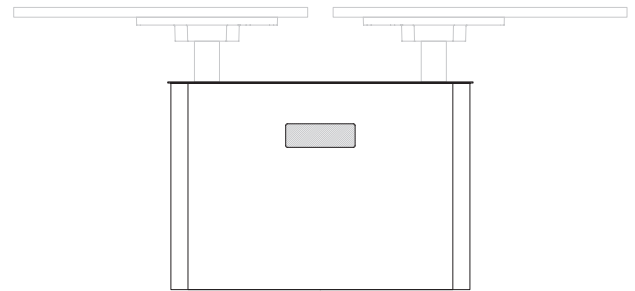
KROSSI SURROUND

No Cut-out



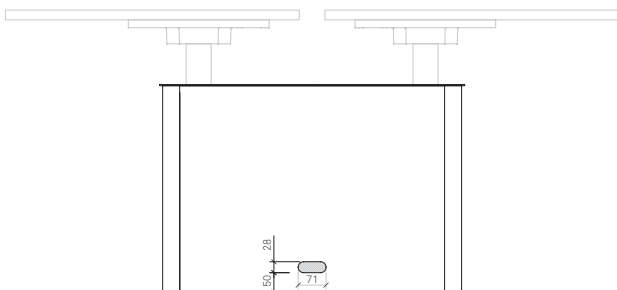
Cable Tray Cut-out

180 x 55mm / 7 x 2.1"



Cable Grommet Cut-out

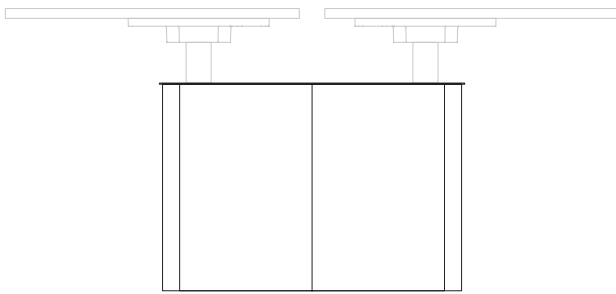
71 x 28mm / 2.8 x 1.1"



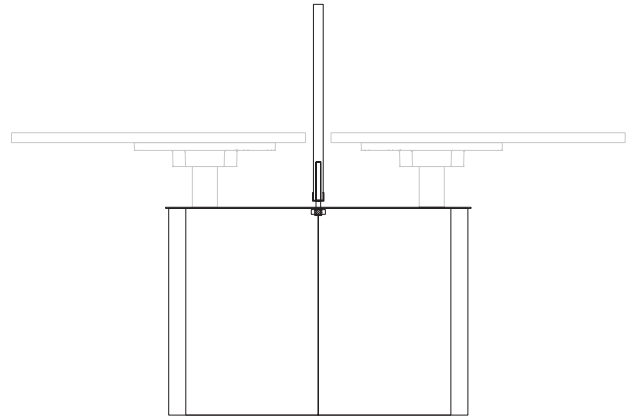
Features: Access Panel Options

KROSSI SURROUND

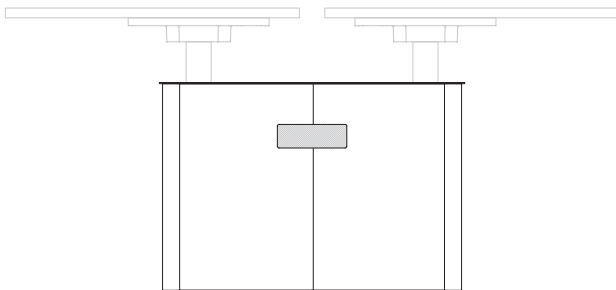
Two Door with no Cut-out



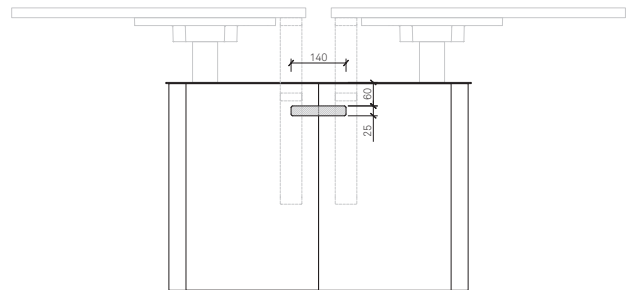
Two Door with Panel Bracket Cut-out



Two Door with Cable Tray Cut-out

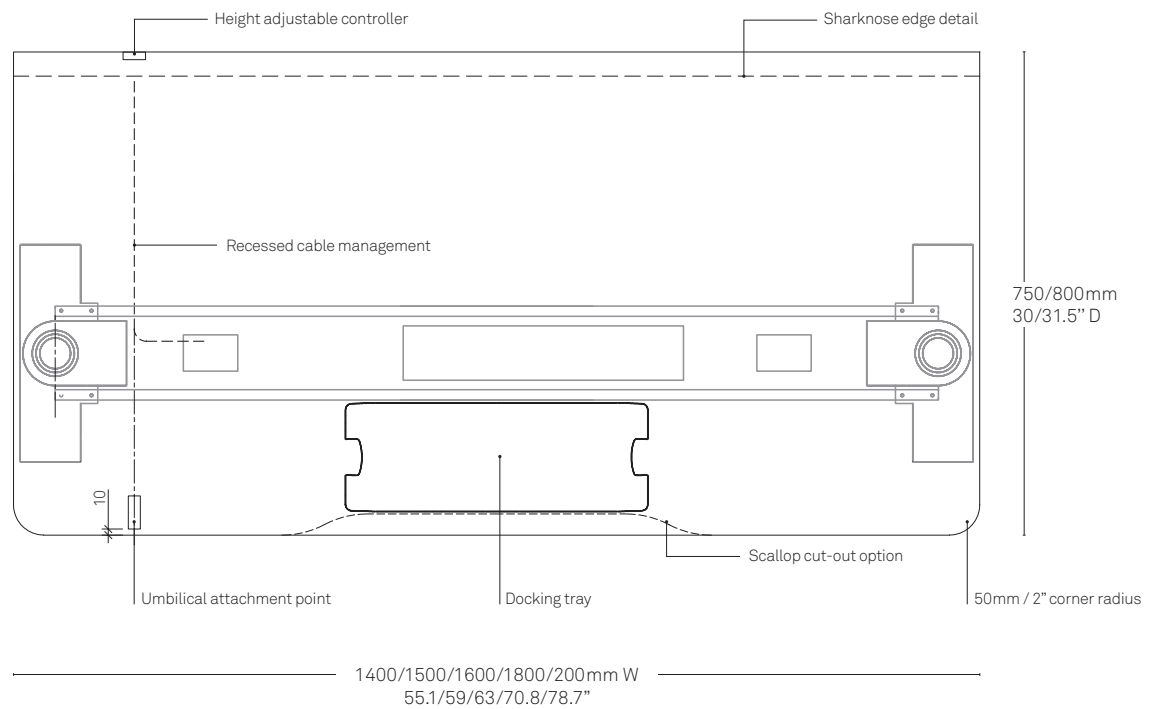


Two Door with Reticulation Cut-out from Shroud to Cable Umbilical



Worktop to suit Shared Panels

Worktop with concealed cabling is also available



Leg shrouds engineered for the below products only:

- Krossi leg superstructures (including all worktop support beam options)
- Worktop support adjustable beam and cover
- Extruded cable tray with rectangular lid
- 25mm / 0.7" shared panels
- 14/20mm / 0.5/0.8" shared/wrap around panels

Cable Tray Lid



Docking Tray

