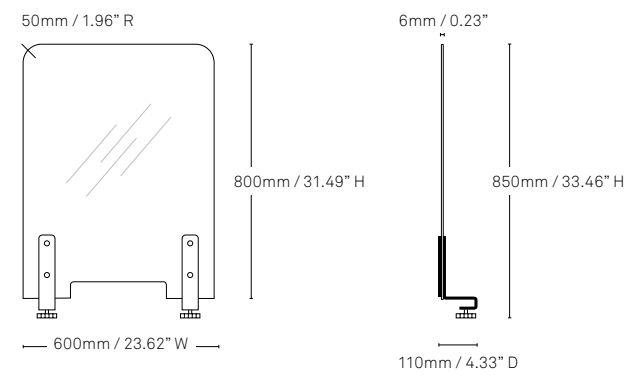
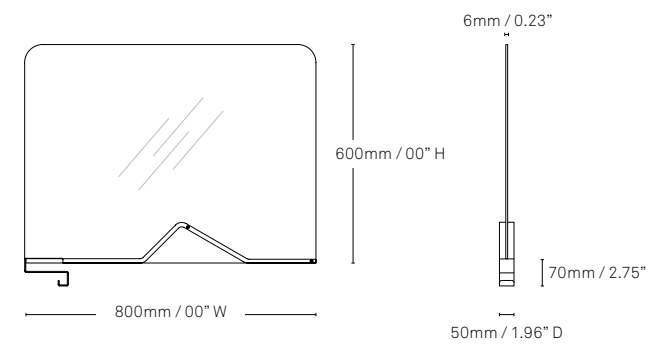


Specifications

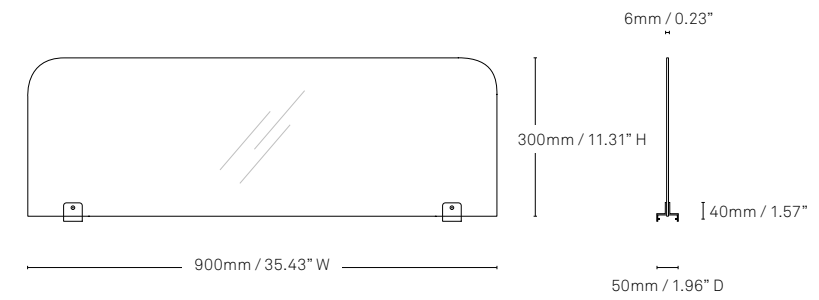
Counter Protection Shield



Desktop Protection Shield



Extension Panel



High Density Workspace Divider

