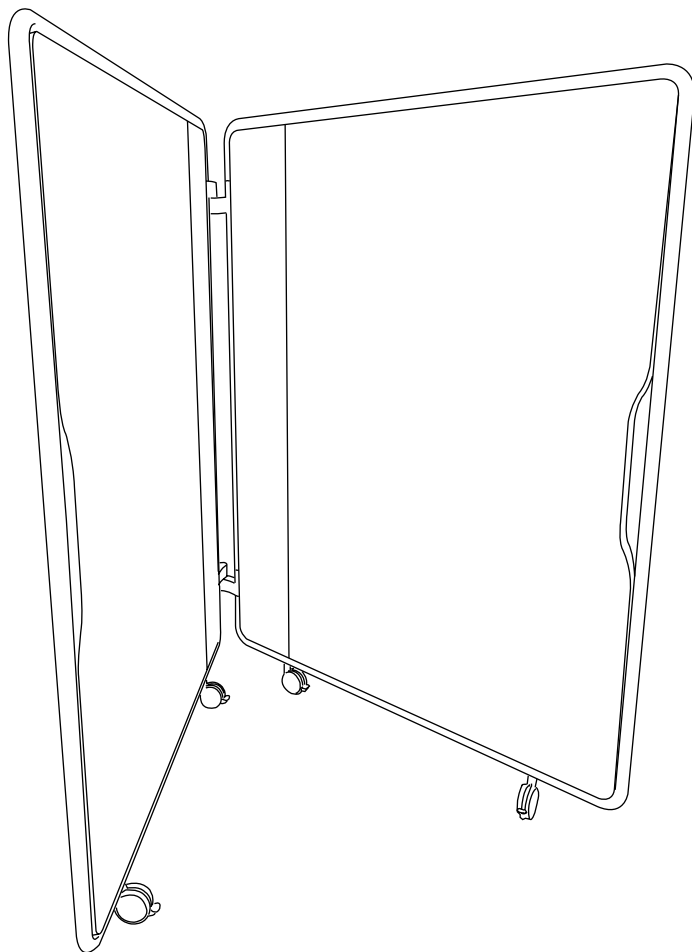


AGILE WALL

ASSEMBLY INSTRUCTION MANUAL

Design by Gavin Harris

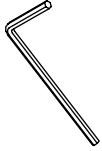


schiaavello

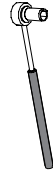
ASSEMBLY INSTRUCTIONS

Tools Required:

- M5 Allen key

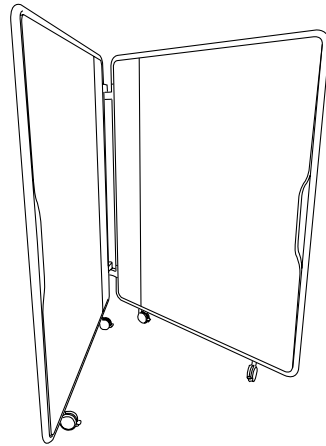


- 10mm Socket

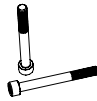


Items Included:

1. 2 x Agile Wall panels,
delivered as two
individual packs.



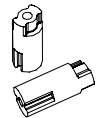
2. 2 x M6 Bolt



3. 2 x M6 Nut



4. 2 x Nylon pin



ASSEMBLY INSTRUCTIONS

Step 1

Insert nylon pins into both hinges on panel 1.

Step 2

Align panel 2 hinges to correspond with nylon pins and drop panel 2 into place.

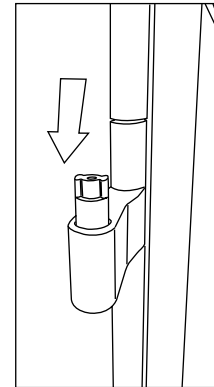
Step 3

Insert both from the top, through the upper hinge in panel 2.
Hold nut in place under hinge of panel or use a 10mm socket if available.

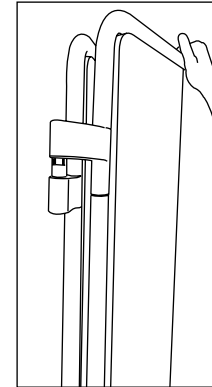
Step 4

Firmly tighten the bolts, however be sure not to over tighten as this may strip the thread on the nut.

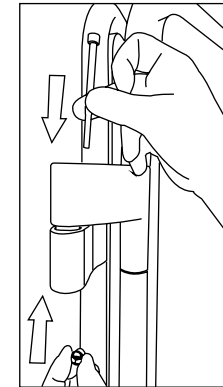
1



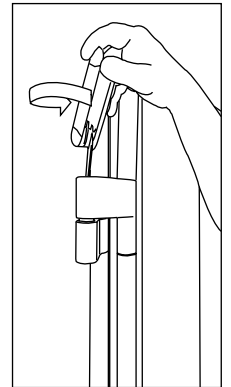
2



3



4



Step 5

Once Agile Wall has been assembled, peel away clear plastic protection sheet from whiteboard surface and wipe the powdercoated frame.

CARE INSTRUCTIONS

Whiteboard surface:

Don't risk micro scratching by dry dusting, use a damp sponge or dry brush with mild detergent in warm water and clean the surface to remove any dust, salt and other deposits. Rinse thoroughly with clean fresh water to remove any remaining cleaner before wiping dry with clean soft cloth.

It is not recommended to use solvent-based or abrasive cleaners. Direct sunlight should be avoided as this will quicken the degradation of the product.

A "dry erase ink" marker is recommended, available by Artline or equivalent alternate brands to those below;

- _ The Artline 500A contains dry erase ink
- _ The Artline 509A contains dry erase ink
- _ The Artline 550A contains dry erase ink



schiaavello

Schiaavello Group Pty Ltd reserves the right to change any or all details without prior notice. All dimensions stated within this document are nominal and/or approximate only and subject to variations.