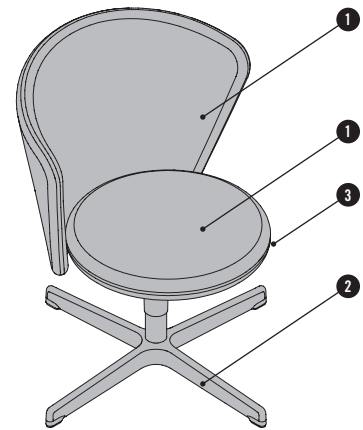


## PRODUCT DESCRIPTION

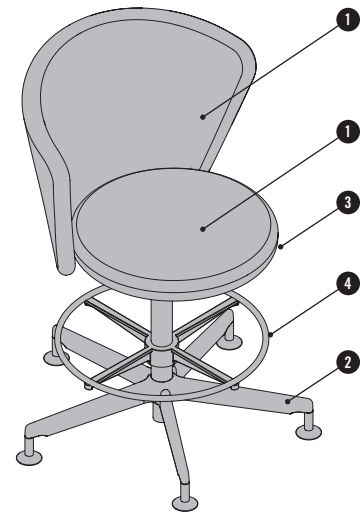
### BAY CHAIR

- 1 **Seat and backrest:** The backrest is made of a plastic form that is covered in polyurethane foam. The seat upholstery is made of polyurethane. Covers available in fabric and leather from the Bene seating furniture collection.
- 2 **Base:** swivel base, 4-star. Polished die-cast aluminium or powder-coated aluminium in off-white or dark grey, on glides or castors, height adjustable.
- 3 **Automatic weight control without a locking function:** plastic cover of mechanics in off-white or dark grey and control elements in stone.



### BAY CHAIR COUNTER

- 1 **Seat and backrest:** The backrest is made of a plastic form that is covered in polyurethane foam. The seat upholstery is made of polyurethane. Covers available in fabric and leather from the Bene seating furniture collection.
- 2 **Base:** swivel base, 5-star. Polished die-cast aluminium or powder-coated aluminium in off-white or dark grey, on glides, height adjustable.
- 3 **Automatic weight control without a locking function:** plastic cover of mechanics in off-white or dark grey and control elements in stone.
- 4 **Foot ring:** powder-coated black, top of swivel base polished aluminium



## OVERVIEW & DIMENSIONS

BAY CHAIR 4-star swivel base with glides	BAY CHAIR 4-star swivel base with castors	BAY CHAIR COUNTER with glides	BAY CHAIR COUNTER with castors

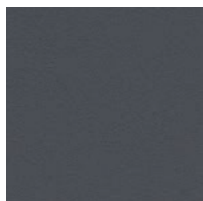
**Dimensions in mm**

## COLOURS & MATERIALS

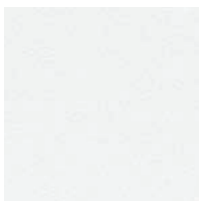
Covers available in fabrics and leathers from the Bene seating furniture collection.

Urban Plus, Xtreme Plus, Step, Step Melange, Europost, Mainline Flax, Divina, Steelcut, Fiord, Hallingdal, Steelcut Trio, Divina Melange, Divina MD, Greenwich, Greenwich Uni, Entrée, Entrée Color and Superior.

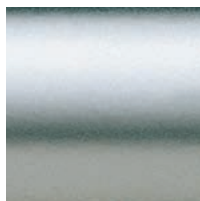
### ALUMINIUM



dark grey

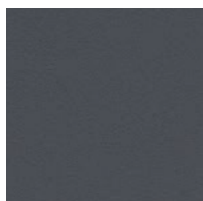


off-white

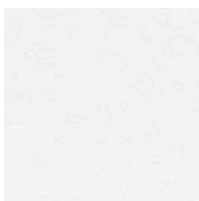


AP polished alu.

### SYNTHETIC MATERIAL



dark grey



off-white

## BENE WORKS SUSTAINABLY

Bene plays a leading role in responsible environmental management. It is practised throughout all company divisions – from product development, procurement, production and logistics to product recycling. Bene considers ecology to be a central element of its responsible and sustainable corporate strategy. Bene sees the legal regulations as minimum requirements and strives for better and more sustainable environmental protection throughout the group. Bene's environmental policy principle is: **Avoidance – Minimisation – Recycling – Disposal.**

### BAY CHAIR – ECOLOGICAL STANDARDS

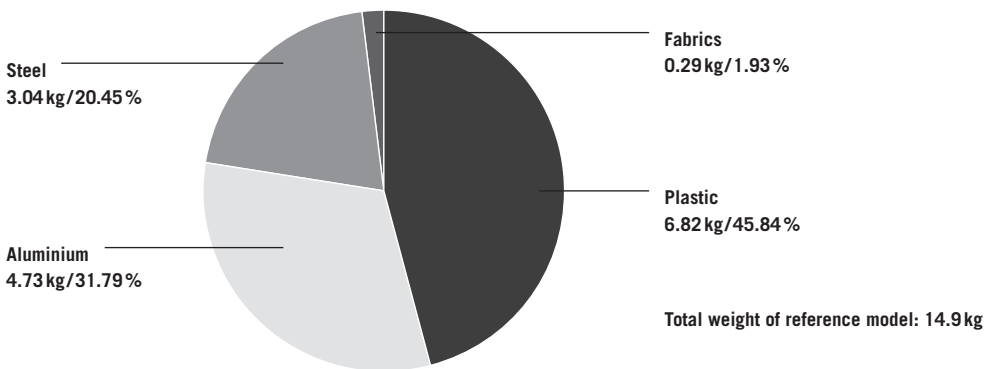
- 91.2% recyclable
- 1.90% of contents are renewable raw materials
- Resource-conserving product design
- Use of materials tested for presence of hazardous substances
- No PVC, chromium, lead or mercury
- Individual elements can be separated and sorted

## BAY CHAIR LEED POINTS

The Leadership in Energy and Environmental Design (LEED) is a system to classify ecological construction that was developed by the U.S. Green Building Council. As an internationally recognised standard, LEED sets out numerous guidelines for environmentally friendly, resource-efficient, and sustainable construction. The use of Bay Chair is an important contribution to LEED certification. The following criteria for this are from “LEED 2009 for Commercial Interiors”:

MR Credit 4	Recycling share	up to 2 points
MR Credit 5	Regional materials	up to 2 points
IEQ Credit 4.5	Material with low hazardous substance content	up to 1 point

### BAY CHAIR MATERIAL COMPONENTS



Environment-related information about Bene: [www.bene.com/sustainability](http://www.bene.com/sustainability)

